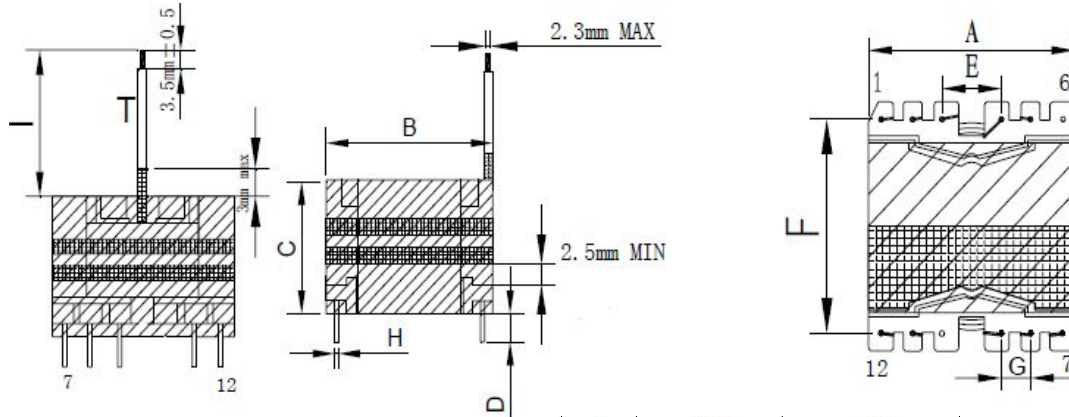


CUSTOMER TERMINAL	ROHS	Lead(Pb)-free
	YES	YES

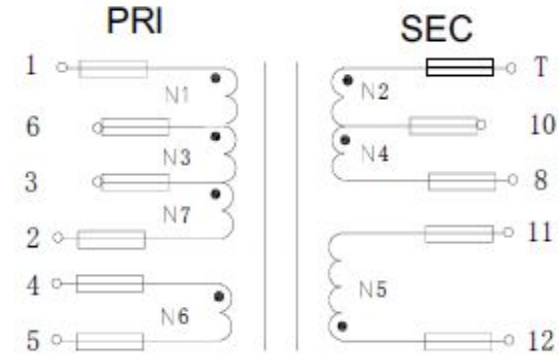


1.Mechanical Dimensions



A	35.0	MAX
B	35.0	MAX
C	23.5	MAX
D	3.5	±0.5
E	7.5	±0.3
F	30.0	±0.4
G	5.0	±0.3
H	0.80	±0.1
I	43.0	±2.0

2.Schematic Diagram



3.Material List

Core:FW44 PQ3220
 Bobbin:FWB3201-1(6+6PIN)
 Wire:2UEW TIW LITZ
 Copper foil:0.025t*8.0mm
 Operating Temperature: -30 to115 °C

4.Electrical Specification

Inductance : L(1-2):1.2mH±5% 30KHZ , 1.0V
 Leakage Inductance : 10uH MAX 30KHZ , 1.0V
 DCR : (1-2)=0.6Ω MAX (8-T)=0.5Ω MAX
 Hi-Pot:P-S: AC 60Hz 4000V 2mA 3S
 S-CORE: AC 60Hz 4000V 2mA 3S

REV.	DATE	 Convention Placement	DRW.	Drawing Title: TRANSFORMER	Part No:
0	00/00		CHK.		FWPTPQ3220V122J
			APP.		Customer P/N
ROHS		www.ferriwo.com			